



## Refractory Target Kit

Kit p/n 2500037 (ECL 1400), 2500038 (ECL 2300)

### Installation Instructions

**Application:** Replacement of the Refractory Target on the E-Classic 1400 and 2300 models.

These instructions outline the procedure for installing the Refractory Target on the E-Classic 1400 and 2300 models. Read and understand these installation instructions before beginning the installation. Make sure all parts and tools are accounted for.

These procedures should be performed by a qualified individual and in accordance with any and all federal, state/provincial and local codes and regulations. When performing work on an appliance observe all precautions in the literature, tags and labels attached to the appliance and other safety precautions that may apply. When working with electricity and electrical components, failure to follow precautions could result in property damage, personal injury or death.

#### Kit Contents:

p/n	Qty.	Description	p/n	Qty.	Description
4050009	1	Refractory Target E-Classic 1400 (in Kit p/n 2500037)	4050010	1	Refractory Target E-Classic 2300 (in Kit p/n 2500038)
			9000146	1	Instructions

#### You Will Need to Supply:

Standard Hand Tools

### **WARNING**

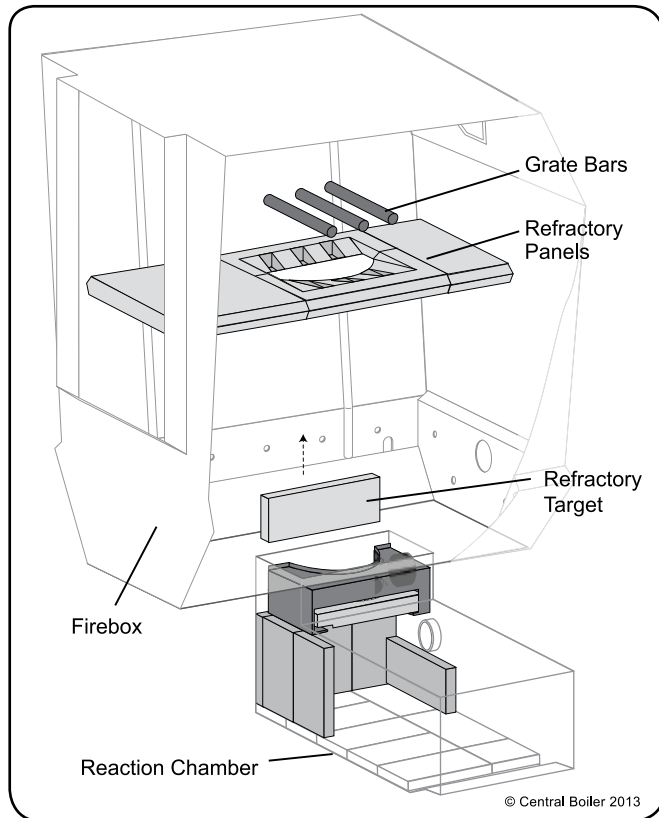
Do not attempt installation of this kit without first disconnecting the electrical power at the main power source and turning off the gas supply at the appliance service valve.

### **CAUTION**

Remove all wood and live coals from the outdoor furnace and allow the firebox to cool thoroughly. Do not perform this installation with any live coals in the outdoor furnace.

1. Disconnect the electrical power to the outdoor furnace at the main power source; then turn off the gas supply at the appliance service valve.
2. Remove all wood and live coals from the outdoor furnace and allow the firebox to cool thoroughly.

3. Remove all ashes from the firebox and Reaction Chamber.

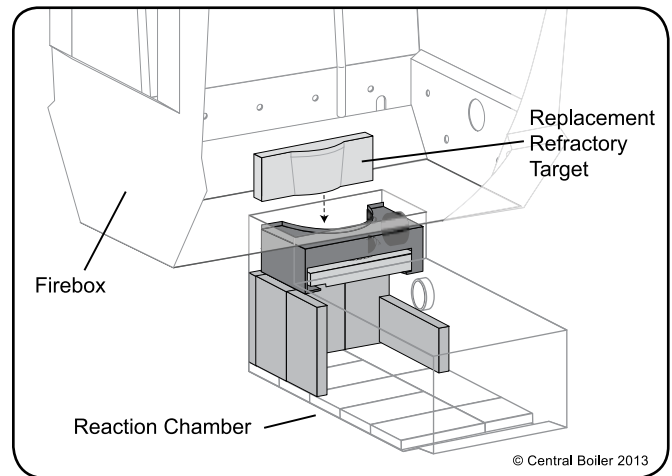


**Fig. 1**

4. Remove the grate bars, refractory panels, and the refractory target from the outdoor furnace as shown in Fig. 1 and discard.

**NOTE: Fig. 1 is for illustration purposes only. The quantity of the refractory panels may vary from model to model.**

5. Install the replacement Refractory Target as shown in Fig. 2. Make sure the beveled side is facing towards the inside of the firebox.
6. Connect the electrical power to the outdoor furnace at the main power source; then turn on the gas supply at the appliance service valve.



**Fig. 2**